

NC-PHRF RATING REQUEST FORM

VALID THRU



Fee: 1 year \$15.00
 3 years \$40.00 (Please circle amount paid)

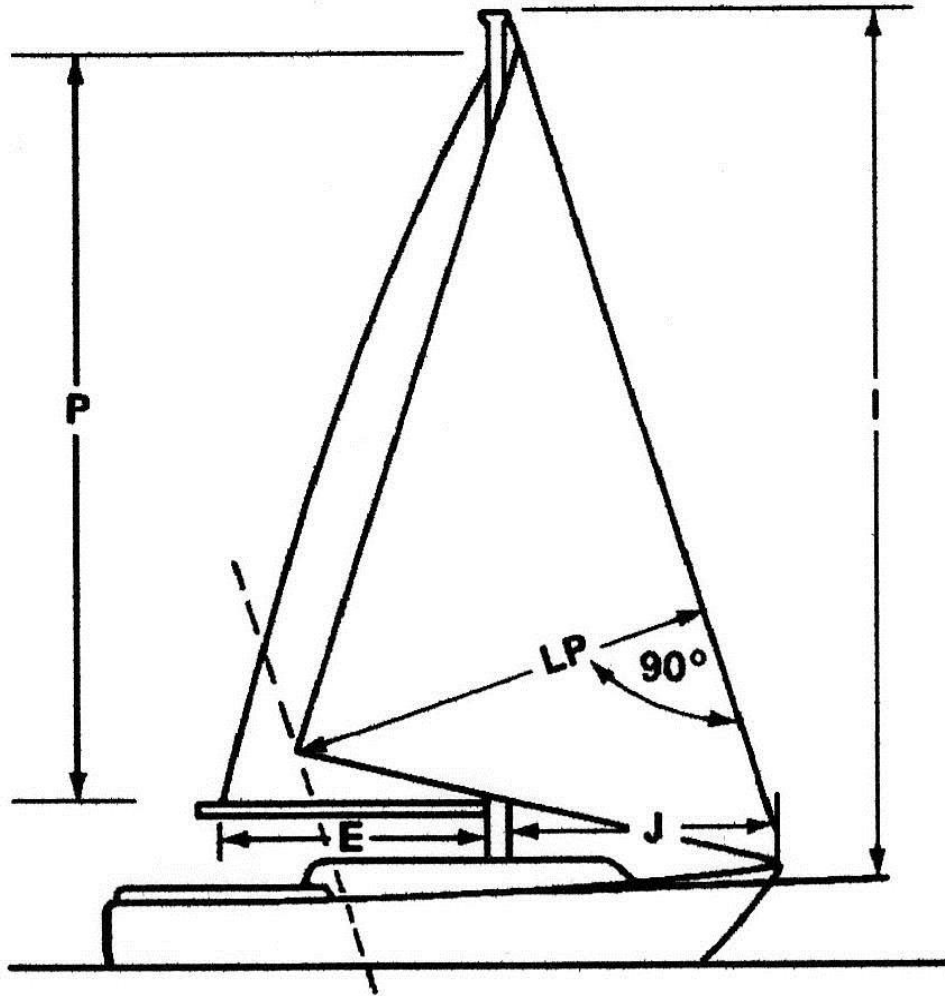
Please **PRINT** when completing the form.

Make a check payable to a **NCPHRF Club**. Mail the form and check to closed representative.*

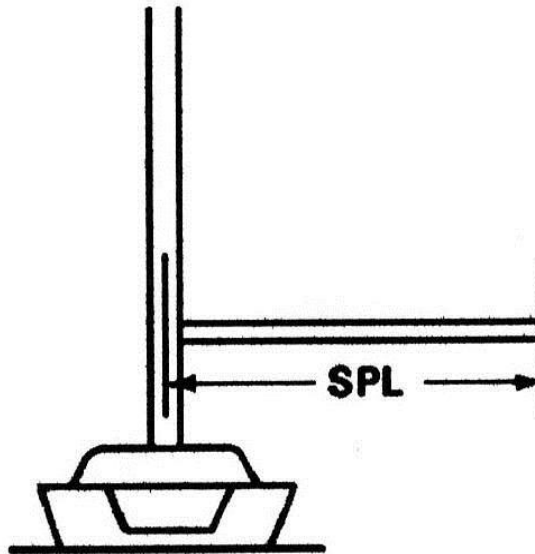
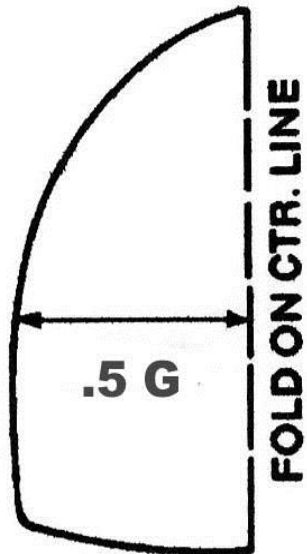
Sail #	Yacht Make	Yacht Model	Year	Club
Yacht Name		Designer		
Master or Owner (Last Name, First Name)				
Street Address				
City		State	Zip	
Home phone		Alt. phone	Email	
MEASUREMENTS (defined on www.ncphrf.com or see on diagram)			For Handicapper's Use only	
I	G	Standard or Base Rating:		
J	LOA	Rating Adjustments		
P	LWL	Largest jib	%LP	
E	Beam	Spinnaker or pole		
ISP	Draft		Mast	
SML	Displacement (lbs)	Miscellaneous		
LP	Ballast (lbs)	Prop		
SPL	Keel Material	Racing Rating:		
SL		Handicappers Comments:		
Mainsail Girth **				
7/8 Leech	1/2 Leech	Handicappers Signature & Date::		
3/4 Leech	1/4 Leech			
VARIABLES				
ENGINE		PROP INSTALL		PROP TYPE
Inboard <input type="checkbox"/>	Outboard <input type="checkbox"/>	None <input type="checkbox"/>	In aperture <input type="checkbox"/>	Exposed shaft <input type="checkbox"/>
			Sail Drive <input type="checkbox"/>	Folding <input type="checkbox"/>
				Feathering <input type="checkbox"/>
				Solid 2-BL <input type="checkbox"/>
				Solid 3-BL <input type="checkbox"/>
RUDDER		KEEL		RIG
Attached <input type="checkbox"/>	Skeg <input type="checkbox"/>	Spade <input type="checkbox"/>	Fin <input type="checkbox"/>	Full <input type="checkbox"/>
			Wing <input type="checkbox"/>	Other <input type="checkbox"/>
			Ctr Board <input type="checkbox"/>	
			Drop <input type="checkbox"/>	Roller furl above deck for all headsails? Yes <input type="checkbox"/>
			Other <input type="checkbox"/>	No <input type="checkbox"/>
MAST		Handicappers Signature & Date:		
Standard <input type="checkbox"/>	Tall Rig <input type="checkbox"/>			
I understand that it is my responsibility to notify the handicapper of changes to this yacht—which affect measurement points, handicap adjustments, or would alter her from a standard boat.				
MODIFICATIONS		SAIL PLAN		
Class Boat-ODR <input type="checkbox"/>	Modified Class <input type="checkbox"/>	Class Boat-PHR <input type="checkbox"/>	Custom <input type="checkbox"/>	Sloop <input type="checkbox"/>
				Ketch <input type="checkbox"/>
				Yawl <input type="checkbox"/>
Signature of Master or Owner & Date:				

* Closest NC-PHRF officer—to be found on www.ncphrf.com

** Required for large roach mainsails



SPIN. GIRTH MEAS.



* Closest NC-PHRF officer—to be found on www.ncphrf.com

** Required for large roach mainsails