

NC-PHRF RATING REQUEST FORM

VALID THRU



Fee: 1 year \$15.00
 3 years \$40.00 (Please circle amount paid)

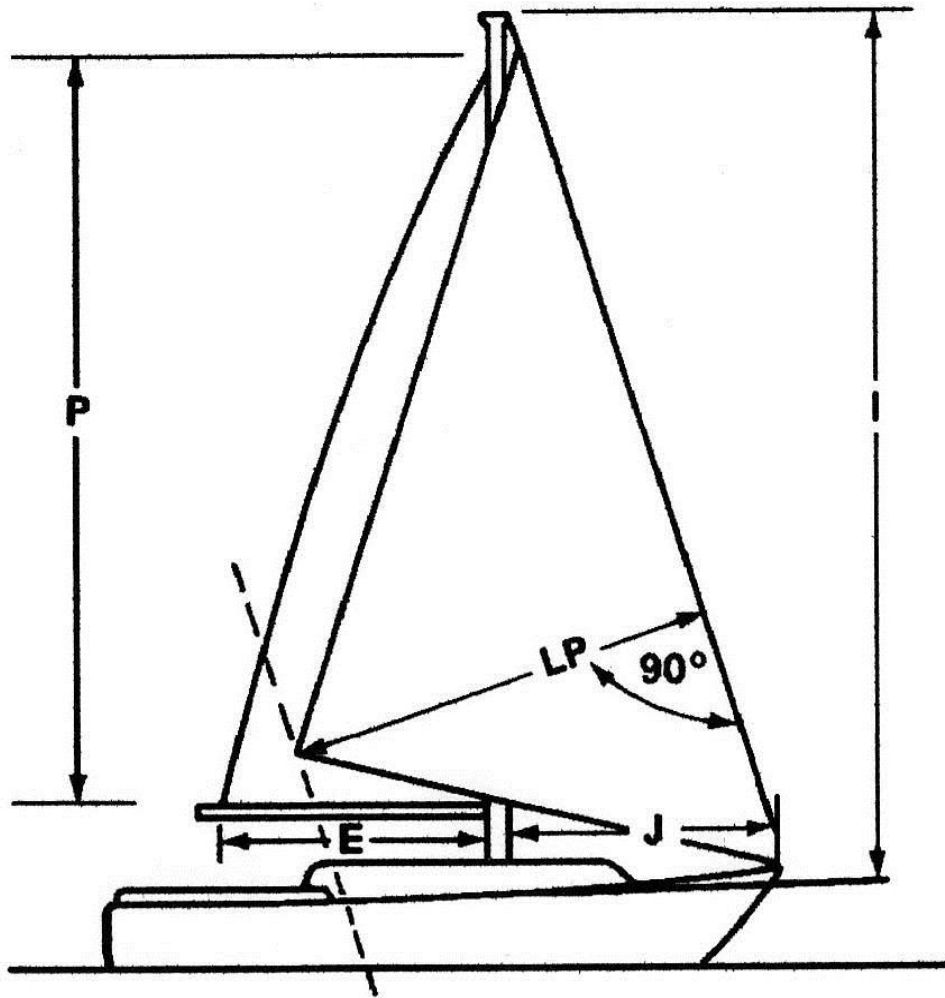
Please **PRINT** when completing the form.

Make a check payable to a **NCPHRF**. Mail the form and check to closest representative.*

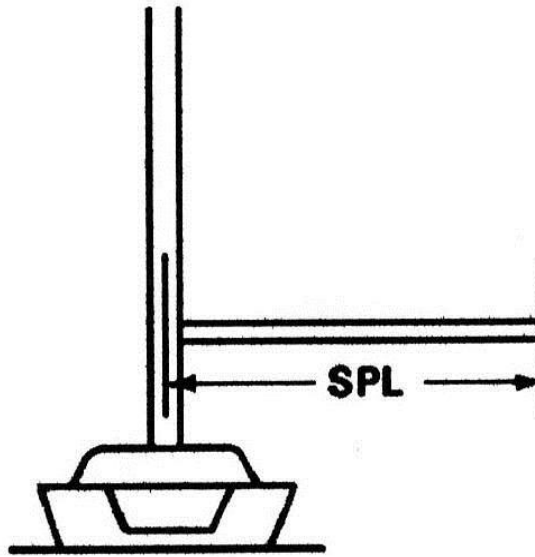
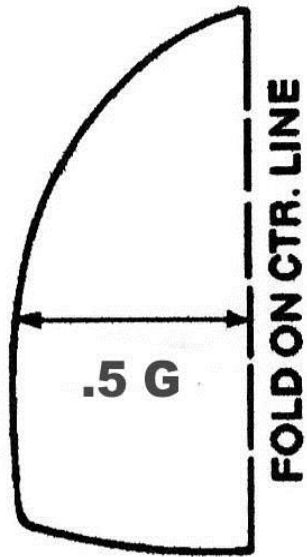
Sail #	Yacht Make	Yacht Model	Year	Club							
Yacht Name		Designer									
Master or Owner (Last Name, First Name)											
Street Address											
City		State	Zip								
Home phone		Alt. phone	Email								
MEASUREMENTS (defined on www.ncphrf.com or see on diagram)				For Handicapper's Use only							
I	G			Standard or Base Rating:							
J	LOA										
P	LWL			Rating Adjustments							
E	Beam			Largest jib	%LP						
ISP	Draft			Spinnaker or pole							
SML	Displacement (lbs)										
LP	Ballast (lbs)			Mast							
SPL	Keel Material			Miscellaneous							
SL				Prop							
Mainsail Girth **				Racing Rating:							
7/8 Leech	1/2 Leech										
3/4 Leech	1/4 Leech										
VARIABLES				Handicappers Comments:							
ENGINE		PROP INSTALL				PROP TYPE					
Inboard <input type="checkbox"/>	Outboard <input type="checkbox"/>	None <input type="checkbox"/>	In aperture <input type="checkbox"/>			Exposed shaft <input type="checkbox"/>	Sail Drive <input type="checkbox"/>	Folding <input type="checkbox"/>	Feathering <input type="checkbox"/>	Solid 2-BL <input type="checkbox"/>	Solid 3-BL <input type="checkbox"/>
RUDDER		KEEL				RIG					
Attached <input type="checkbox"/>	Skeg <input type="checkbox"/>	Spade <input type="checkbox"/>	Fin <input type="checkbox"/>	Full <input type="checkbox"/>	Wing <input type="checkbox"/>	Other <input type="checkbox"/>	Masthead <input type="checkbox"/>	Fractional <input type="checkbox"/>	Other <input type="checkbox"/>		
MAST											
Standard <input type="checkbox"/>	Tall Rig <input type="checkbox"/>	Other <input type="checkbox"/>	Ctr Board <input type="checkbox"/>	Drop <input type="checkbox"/>	Other <input type="checkbox"/>	Roller furl above deck for all headsails? Yes <input type="checkbox"/>		No <input type="checkbox"/>			
MODIFICATIONS				SAIL PLAN		Signature of Master or Owner & Date:					
Class Boat-ODR <input type="checkbox"/>	Modified Class <input type="checkbox"/>	Class Boat-PHR <input type="checkbox"/>	Custom <input type="checkbox"/>	Sloop <input type="checkbox"/>	Ketch <input type="checkbox"/>					Yawl <input type="checkbox"/>	

* Closest NC-PHRF officer—to be found on www.ncphrf.com

** Required for large roach mainsails



SPIN. GIRTH MEAS.



* Closest NC-PHRF officer—to be found on www.ncphrf.com

** Required for large roach mainsails